

DirectDrive small;Model DDs6823H Brushless DD Motor

Features:-3 Phase Outer Rotor Brushless Motor without hall sensor

Low Speed, Large Torque

Sealed Casing, Dust- proof design

High Precision and High Performance

Safe and Reliable, Running Smoothly

Lightweight, Energy Saving

Low Noise, Long Life

Specifications:

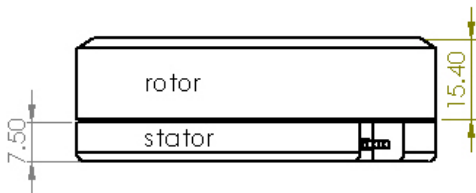
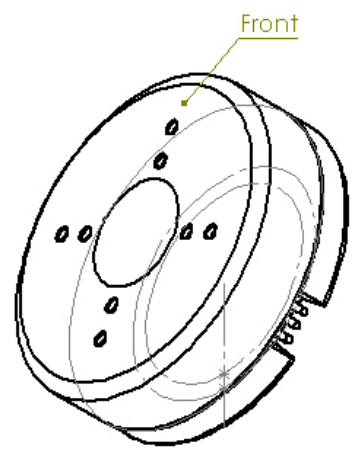
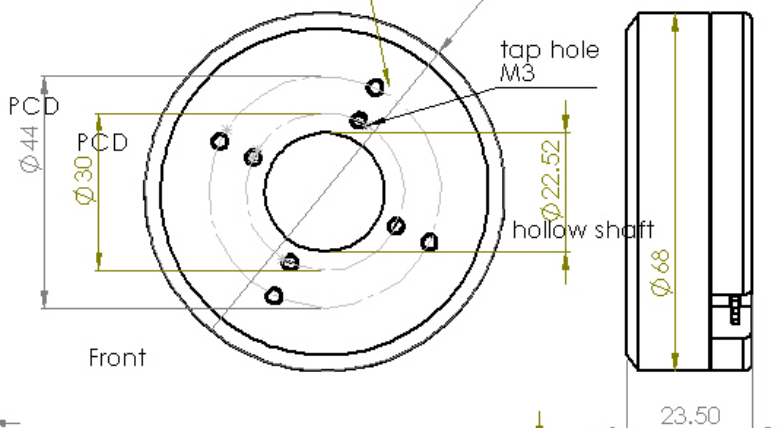
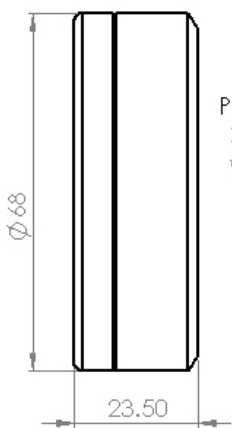
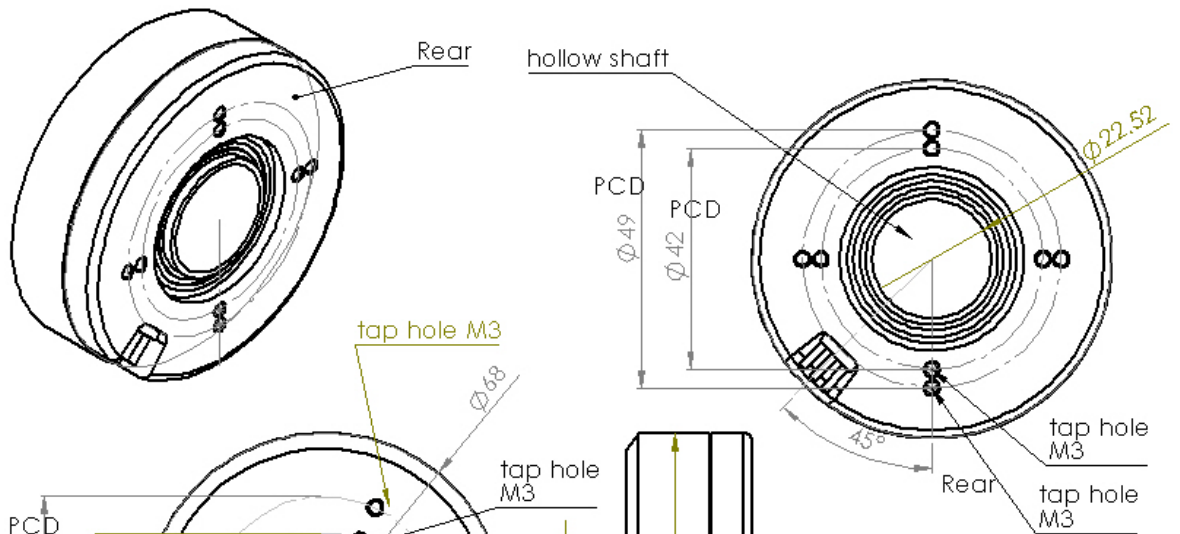
| | | |
|-----------------------------|---------------------------------------|------------------------------------|
| Item No. | DDs 6823H ;Name | :Brushless Disc Motor |
| Motor Type | Brushless DC/ Outer rotor ;Weight (g) | :226 |
| Motor Dimension (DxL mm) | 68x23.5 ; | Diameter of hollow Shaft (mm) 22.5 |
| Configuration | 24N22P ; | Number of pole pairs 11 |
| Resistance (Ri) (Ohm) | 9.9 ; | Winding : Y & SineWave back EMF |
| Recommended Voltage (V) | 14.8- 48V ; Max. Voltage (V) | 72V |
| Rated power | | 220 watt |
| KV (RPM/V) | | 28 |
| No Load Current (A) | | 0.09 |
| Stall Current (A) | | 4.9A ; peak current 13A |
| Operating Temperature Range | | -40 to +150 degree Celsius |
| Torque N.m | | 0.79 N.m |
| Peak Torque | | 2.7 N.m. |
| Inductance (mH) | | 13.8 mH |
| Max. speed @ 48V | | : 1350 rpm |
| Max. speed @ 72V | | : 2020 rpm |

DDsMotor 6823+Encoderflange Type 1



DDs 6823 Encoder Flange Type1

DDs 6823 L



DDs 6823 L

